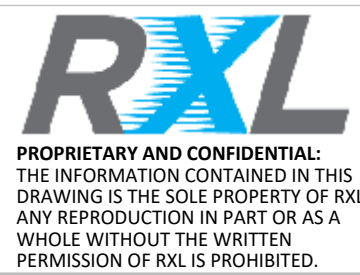
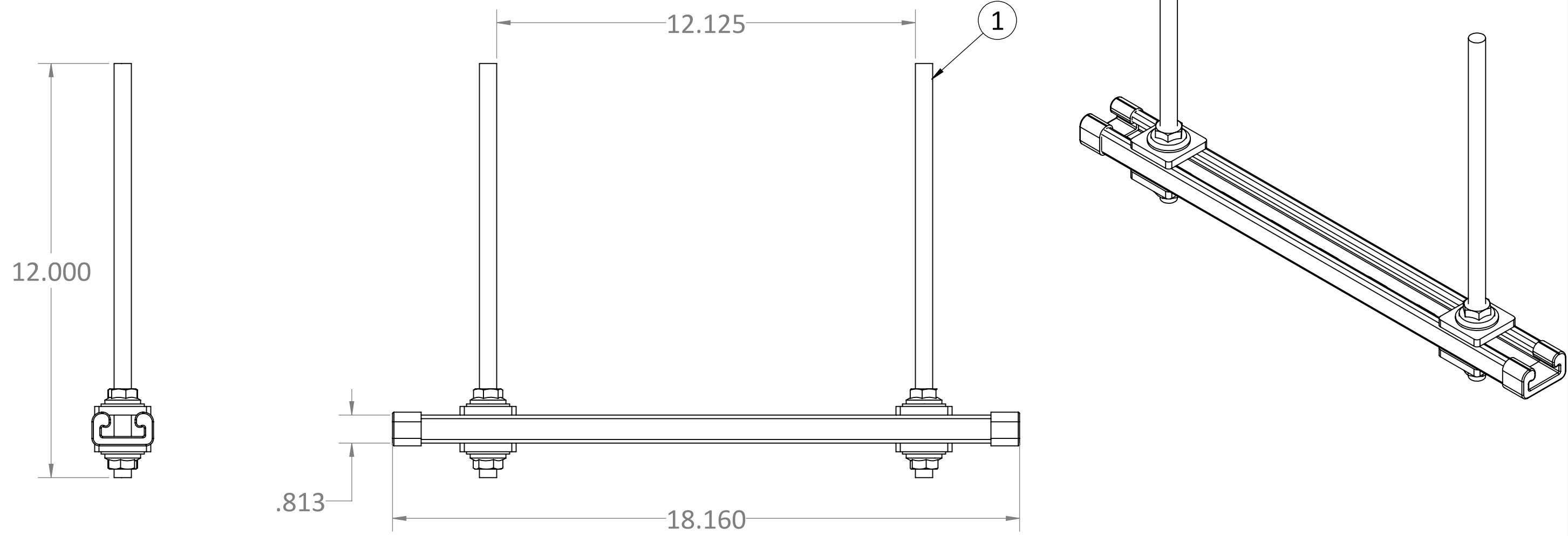


ITEM #	PART NUMBER	CONFIGURATION	REV	DESCRIPTION	MATERIAL	QTY
1	AS-8020-01	X12121213	A	12in. H x 12in. W x 1213Thread Custom Shallow 1 Teir Trapeze		1



SERIES/FAMILY NUMBER: RXL-8020		CONFIGURATION (SEE TABLE DETAILS/"X" DENOTES COLOR): X12121213		COMMENTS/FOLDER PATH: D:\RXL Inc\RXL - Engineering - Section 8 - Strut Channel Products\RXL-8020 Shallow 1 Tier Trapeze\	
DESCRIPTION: 12in. L x 12in. W x 1213Thread Custom Shallow 1 Teir Trapeze					
REVISION A	DATE 5/4/2022	REVISION DESCRIPTION: Initial			
UNLESS OTHERWISE SPECIFIED: DIMENSIONS ARE IN INCHES TOLERANCES: ±0.03 FRACTIONAL: ±1/32 ANGULAR: ±1° TWO PLACE DECIMAL ±0.03 THREE PLACE DECIMAL ±0.030		MATERIAL:	FULL PART NUMBER: RXL-8020-X12121213		DRAWING SIZE: B SHEET 1 OF 1
FINISH: PAINT		WEIGHT:	DRAWN BY: Jackson Chong DRAWN DATE: 9/11/2020		
SURFACE AREA:		DO NOT SCALE DRAWING Scale: 1:4			