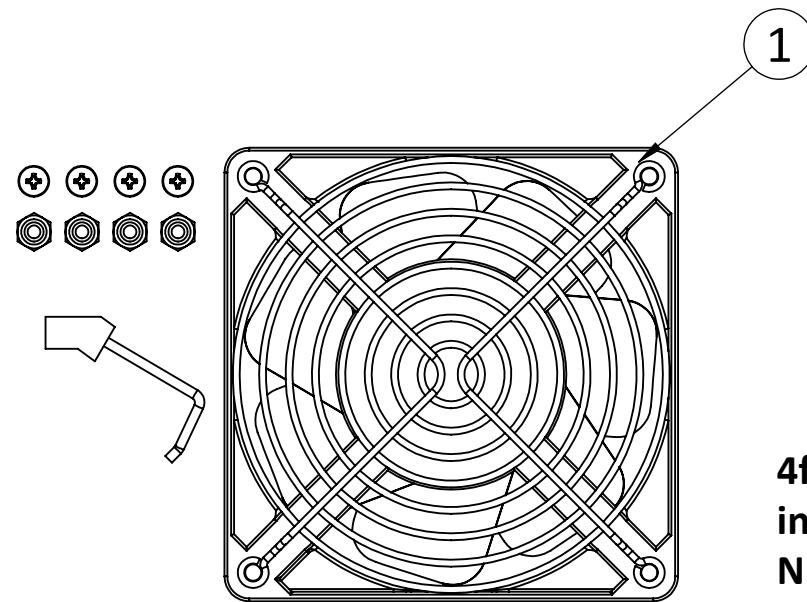
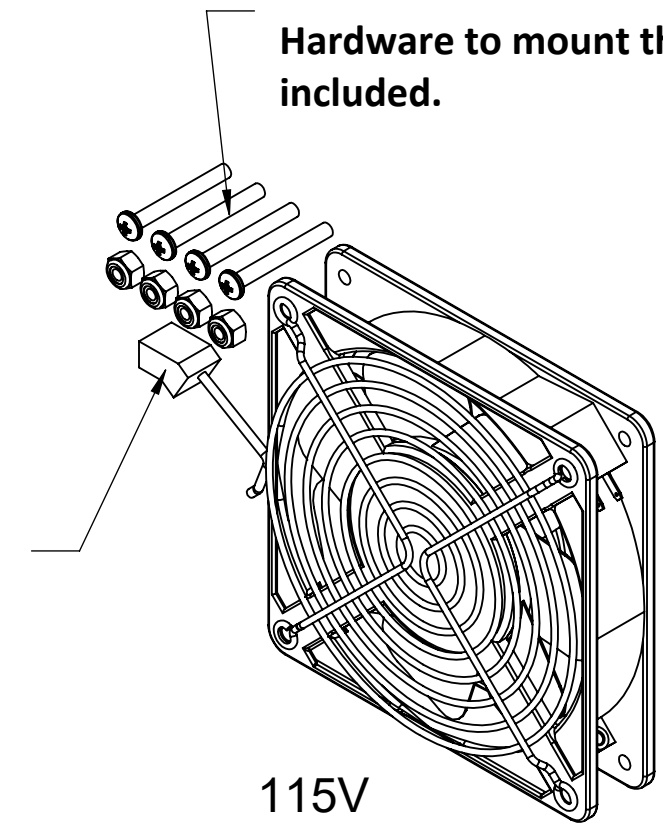


ITEM #	PART NUMBER	CONFIGURATION	REV	DESCRIPTION	MATERIAL	QTY
1	AS-4805-01	X00	A	Fankit Assembly		1

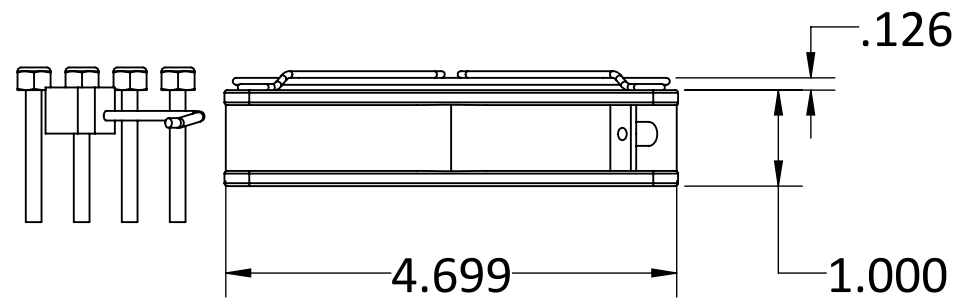
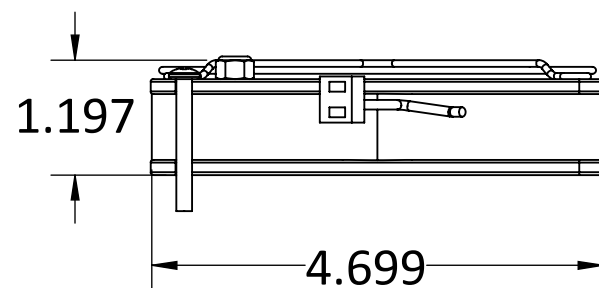


4ft Fan power cord included, C45-48P NEMA 1-15 Plug.



Hardware to mount the fan included.

115V
75 CFM
42 dB



PROPRIETARY AND CONFIDENTIAL:
THE INFORMATION CONTAINED IN THIS
DRAWING IS THE SOLE PROPERTY OF RXL.
ANY REPRODUCTION IN PART OR AS A
WHOLE WITHOUT THE WRITTEN
PERMISSION OF RXL IS PROHIBITED.

SERIES/FAMILY NUMBER:
RXL-4805

DESCRIPTION:
RXL-4805 Single Fankit, 115V, 75 CFM

REVISION
A

DATE
9/17/2019

REVISION DESCRIPTION:
Initial

CONFIGURATION (SEE TABLE DETAILS/"X" DENOTES COLOR):
X01

COMMENTS/FOLDER PATH:
C:\Users\LauraMunoz\RXL Inc\RXL - Engineering - Section 4 - Wall Mounts\RXL-4805 Single Fankit\

UNLESS OTHERWISE SPECIFIED:
DIMENSIONS ARE IN INCHES
TOLERANCES: ±0.03
FRACTIONAL: ±1/32
ANGULAR: ±1°
TWO PLACE DECIMAL ±0.03
THREE PLACE DECIMAL ±0.030

MATERIAL:

FINISH:
NONE

WEIGHT:

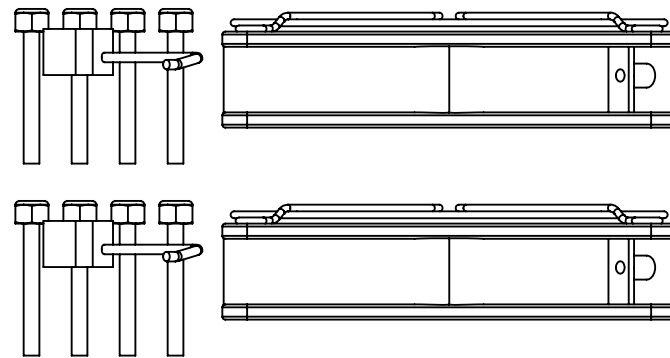
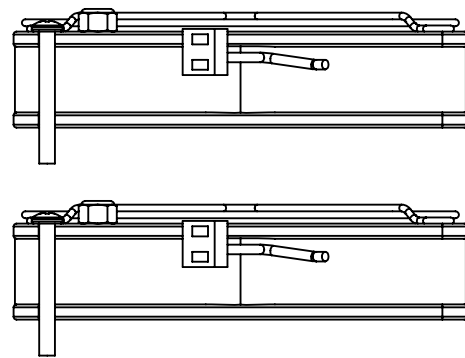
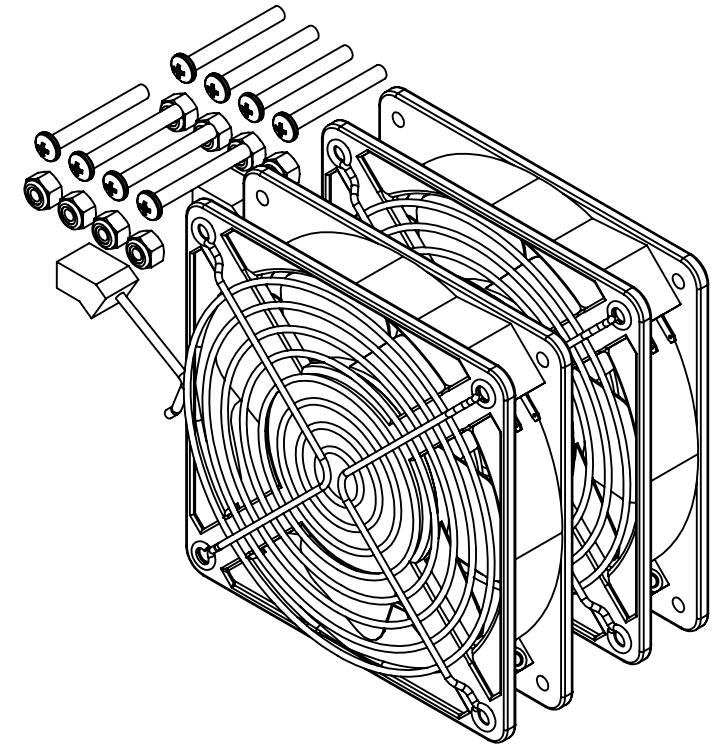
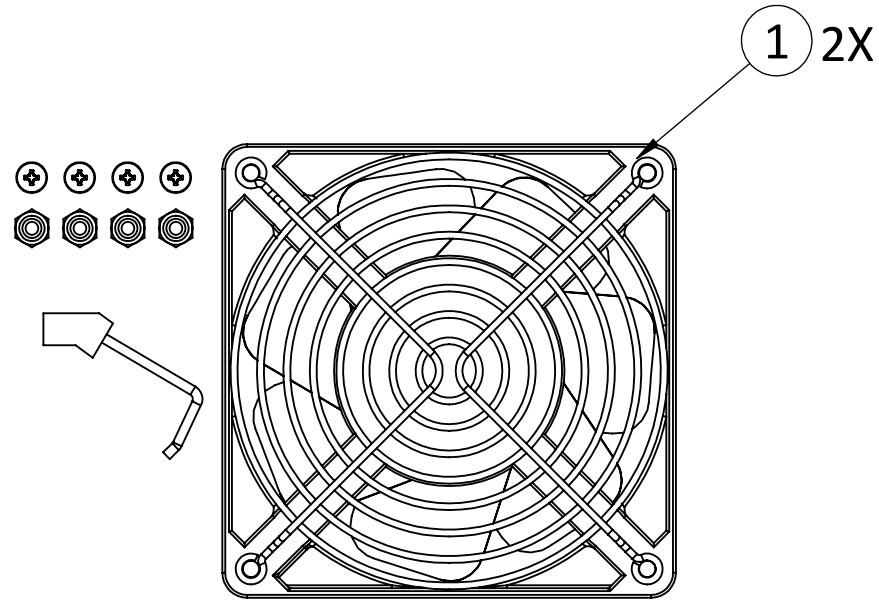
SURFACE AREA:

FULL PART NUMBER:
RXL-4805-X01

DRAWN BY: Jackson Chong
DRAWN DATE: 9/17/2019

DO NOT SCALE DRAWING
Scale: 1:4
DRAWING SIZE: B
SHEET 1 OF 2

ITEM #	PART NUMBER	CONFIGURATION	REV	DESCRIPTION	MATERIAL	QTY
1	AS-4805-01	X00	A	Fankit Assembly		2



PROPRIETARY AND CONFIDENTIAL:
THE INFORMATION CONTAINED IN THIS DRAWING IS THE SOLE PROPERTY OF RXL. ANY REPRODUCTION IN PART OR AS A WHOLE WITHOUT THE WRITTEN PERMISSION OF RXL IS PROHIBITED.

SERIES/FAMILY NUMBER:
RXL-4805

DESCRIPTION:
RXL-4805 Single Fankit

REVISION
A

DATE
9/17/2019

REVISION DESCRIPTION:
Initial

CONFIGURATION (SEE TABLE DETAILS/"X" DENOTES COLOR):
X02

COMMENTS/FOLDER PATH:
C:\Users\LauraMunoz\RXL Inc\RXL - Engineering - Section 4 - Wall Mounts\RXL-4805 Single Fankit\

UNLESS OTHERWISE SPECIFIED:
DIMENSIONS ARE IN INCHES
TOLERANCES: ±0.03
FRACTIONAL: ±1/32
ANGULAR: ±1°
TWO PLACE DECIMAL ±0.03
THREE PLACE DECIMAL ±0.030

MATERIAL:

FINISH:
NONE

WEIGHT:

SURFACE AREA:

FULL PART NUMBER:
RXL-4805-X02

DRAWN BY: Jackson Chong

DRAWN DATE: 9/17/2019

DO NOT SCALE DRAWING
Scale: 1:4

DRAWING SIZE: **B**
SHEET 2 OF 2