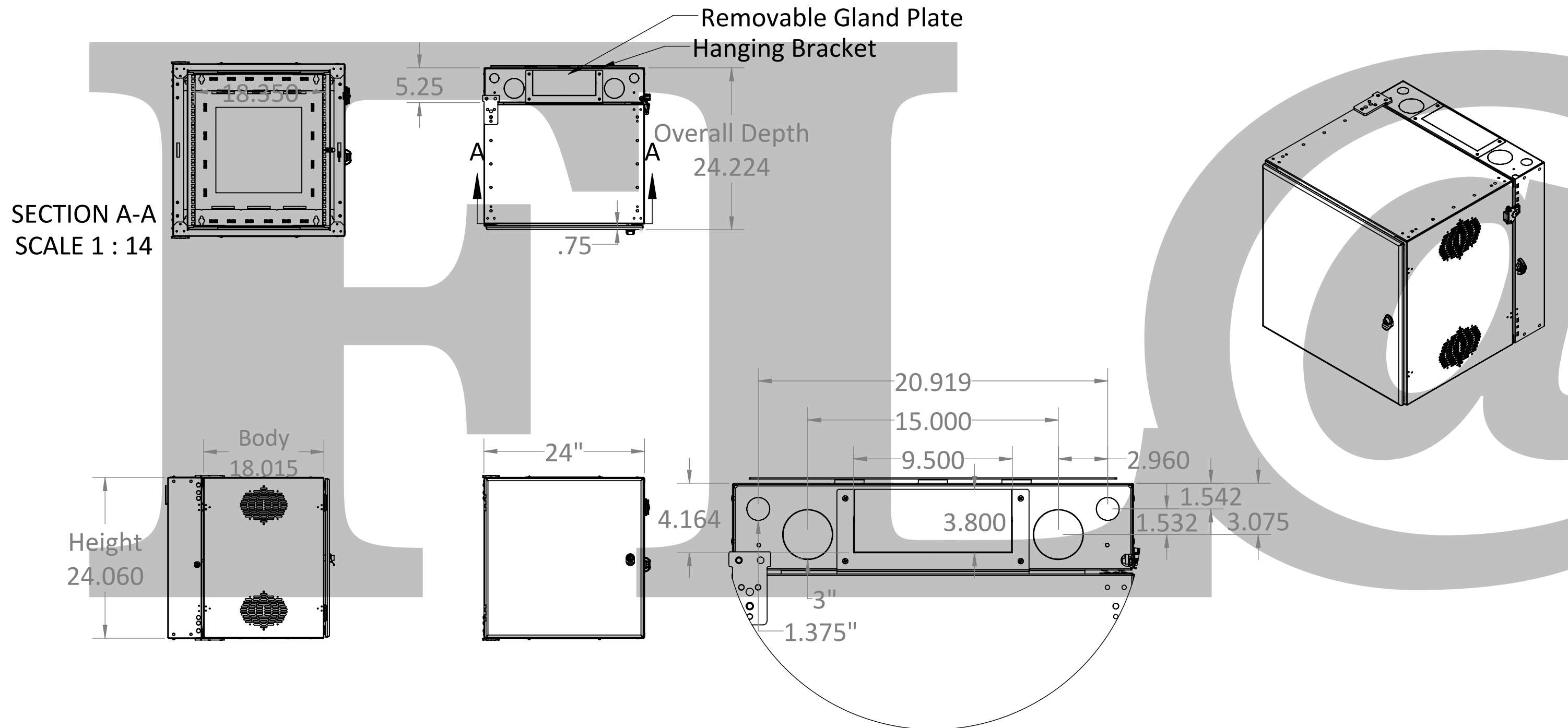


| ITEM # | PART NUMBER | CONFIGURATION | REV | DESCRIPTION | MATERIAL | QTY | FINISH |
|--------|-------------|---------------|-----|---|----------|-----|--------|
| F 1 | AS-4500-08 | X1218ST | D | Cube Wall Mount, 12U x 18in. Usable Depth, Solid Front Door, Tapped Rails | | 1 | PAINT |



RXL
 PROPRIETARY AND CONFIDENTIAL:
 THE INFORMATION CONTAINED IN THIS
 DRAWING IS THE SOLE PROPERTY OF RXL.
 ANY REPRODUCTION IN PART OR AS A
 WHOLE WITHOUT THE WRITTEN
 PERMISSION OF RXL IS PROHIBITED.

| | | | |
|---|--------------------------|--|--|
| SERIES/FAMILY NUMBER: RXL-4500 | | CONFIGURATION (SEE TABLE DETAILS/"X" DENOTES COLOR): X1218ST | |
| DESCRIPTION: Cube Wall Mount, 12U x 18in. Usable Depth, Solid Front Door, Tapped Rails | | | |
| REVISION D | DATE 7/25/2022 | REVISION DESCRIPTION: Added Removable Back Panel | |

| | | | |
|--|--|--|---------------------------------------|
| COMMENTS/FOLDER PATH: D:\RXL Inc\RXL - Engineering - Section 4 - Wall Mounts\RXL-4500 Standard Cube Wall Mount\ | | | |
| UNLESS OTHERWISE SPECIFIED: DIMENSIONS ARE IN INCHES TOLERANCES: ±0.03 FRACTIONAL: ±1/32 ANGULAR: ±1° | | MATERIAL: | FULL PART NUMBER: RXL-4500-X1218ST |
| TWO PLACE DECIMAL ±0.03 THREE PLACE DECIMAL ±0.030 | | FINISH: PAINT | DRAWN BY: Jackson Chong |
| WEIGHT: 77.78lbs. | | SURFACE AREA: 9143.38in. ² | DRAWN DATE: 3/23/2020 |
| | | DO NOT SCALE DRAWING Scale: 1:4 | DRAWING SIZE: B SHEET 1 OF 1 |