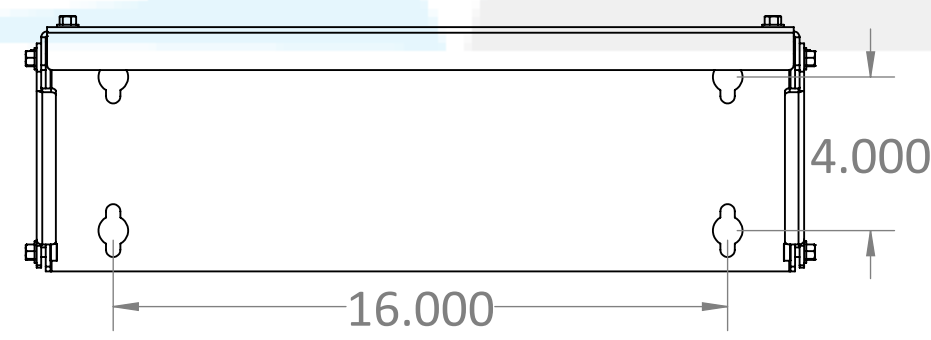
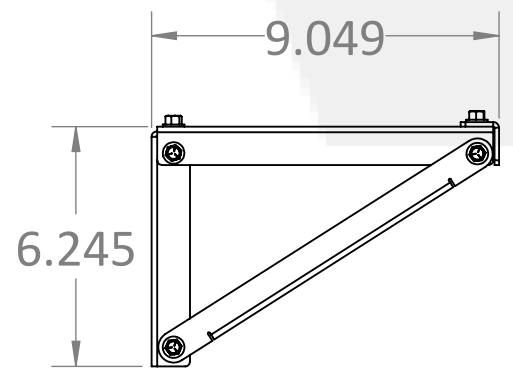
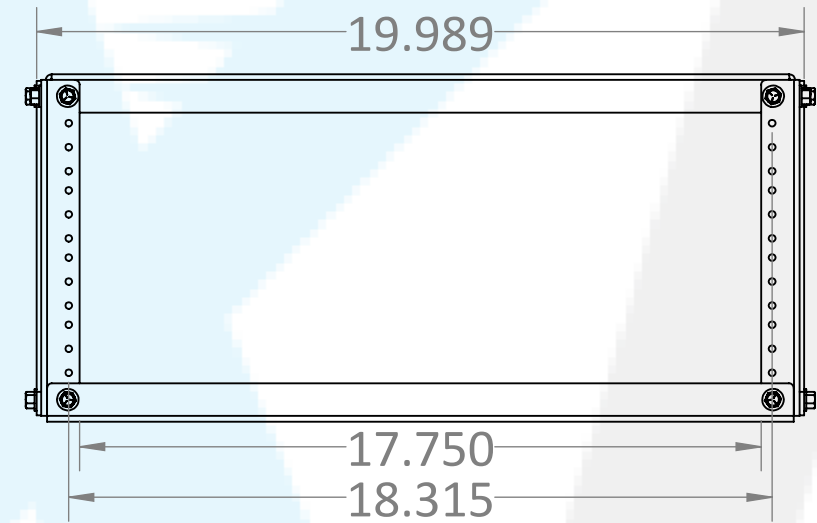
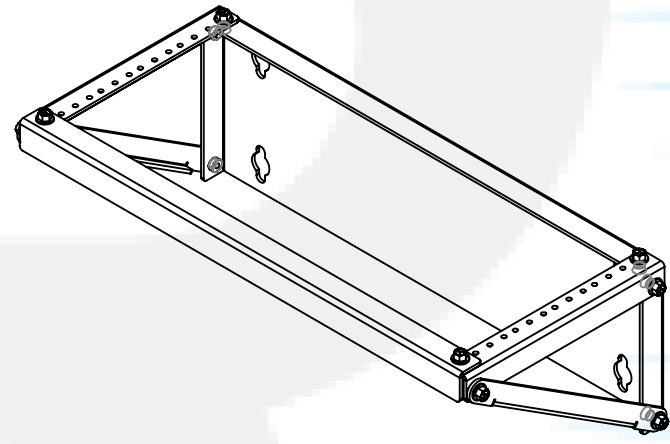


ITEM #	PART NUMBER	CONFIGURATION	REV	DESCRIPTION	MATERIAL	FINISH	QTY
1	AS-4474-01	X	A	Back Panel PEM Assembly		PAINT	1
2	AS-4474-02	X04RT	A	04RU Right Rail PEM Assembly		PAINT	1
3	AS-4474-02	X04LF	A	04RU Left Rail PEM Assembly		PAINT	1
4	PT-4474-03	X04	A	04RU Flush Vertical Wall Bracket Support Angle	11GA STEEL(0.1196)	PAINT	2
5	PT-4474-04	X	A	Front Support Bar	11GA STEEL(0.1196)	PAINT	1
6	BLT-SF	1420-0500-X		Serrated Flange Head Bolt, 1/4"-20 Thread, 0.5in. Long	PURCHASE PART	NONE	10



**RXL**  
 PROPRIETARY AND CONFIDENTIAL:  
 THE INFORMATION CONTAINED IN THIS  
 DRAWING IS THE SOLE PROPERTY OF RXL.  
 ANY REPRODUCTION IN PART OR AS A  
 WHOLE WITHOUT THE WRITTEN  
 PERMISSION OF RXL IS PROHIBITED.

SERIES/FAMILY NUMBER:  
**RXL-4474**

DESCRIPTION:  
**04RU Flush Vertical Wall Bracket**

REVISION	DATE	REVISION DESCRIPTION:
A	12/10/2018	Initial

CONFIGURATION (SEE TABLE DETAILS/"X" DENOTES COLOR):  
**X04**

COMMENTS/FOLDER PATH:  
 D:\RXL Inc\RXL - Engineering - Section 4 - Wall Mounts\RXL-4474 Flush Vertical Wall Bracket\

UNLESS OTHERWISE SPECIFIED:		MATERIAL:		FULL PART NUMBER:	
DIMENSIONS ARE IN INCHES		11GA STEEL(0.1196)		RXL-4474-X04	
TOLERANCES: ±0.03		FINISH: PAINT		DRAWN BY: Jackson Chong	
FRACTIONAL: ±1/32		WEIGHT: 8.07lbs.		DRAWN DATE: 12/10/2018	
ANGULAR: ±1°		SURFACE AREA: 511.23in. <sup>2</sup>		DO NOT SCALE DRAWING	
TWO PLACE DECIMAL ±0.03		Scale: 1:4		DRAWING SIZE: B	
THREE PLACE DECIMAL ±0.030				SHEET 1 OF 1	