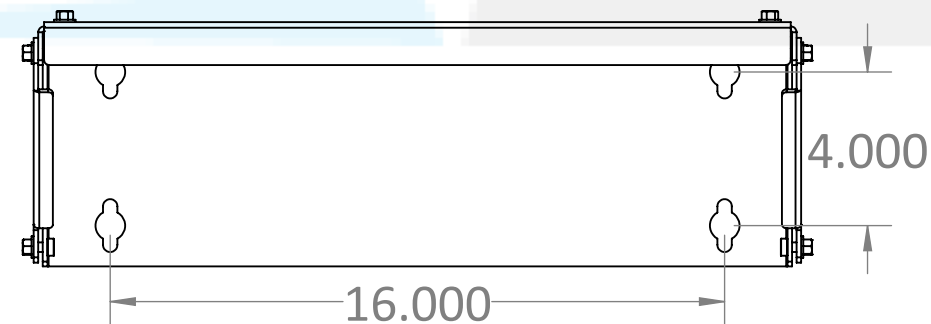
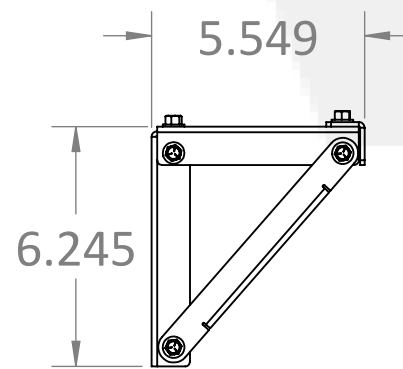
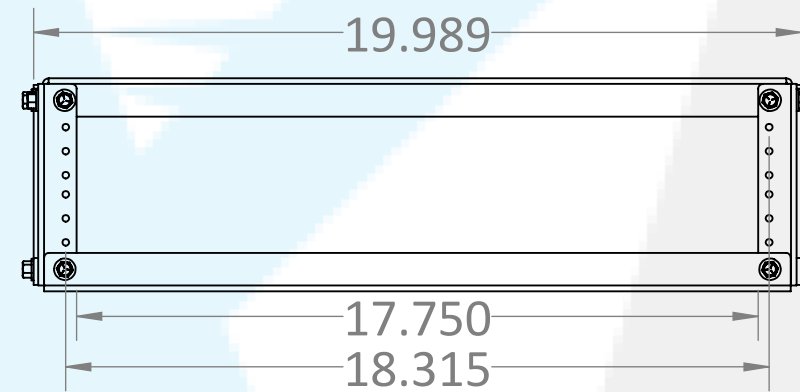
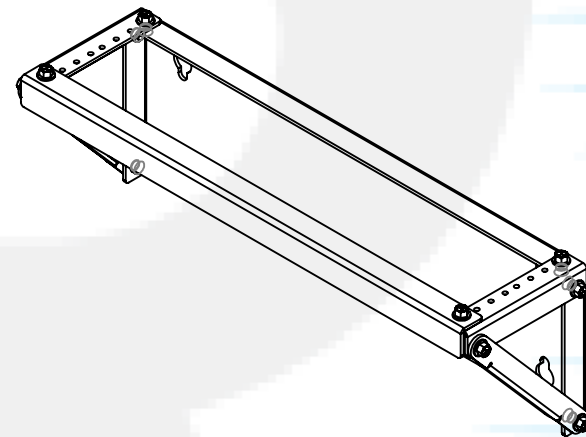


ITEM #	PART NUMBER	CONFIGURATION	REV	DESCRIPTION	MATERIAL	FINISH	QTY
1	AS-4474-01	X	A	Back Panel PEM Assembly		PAINT	1
2	AS-4474-02	X02RT	A	02RU Right Rail PEM Assembly		PAINT	1
3	AS-4474-02	X02LF	A	02RU Left Rail PEM Assembly		PAINT	1
4	PT-4474-03	X02	A	02RU Flush Vertical Wall Bracket Support Angle	11GA STEEL(0.1196)	PAINT	2
5	PT-4474-04	X	A	Front Support Bar	11GA STEEL(0.1196)	PAINT	1
6	BLT-SF	1420-0500-X		Serrated Flange Head Bolt, 1/4"-20 Thread, 0.5in. Long	PURCHASE PART	NONE	10



PROPRIETARY AND CONFIDENTIAL:  
THE INFORMATION CONTAINED IN THIS  
DRAWING IS THE SOLE PROPERTY OF RXL.  
ANY REPRODUCTION IN PART OR AS A  
WHOLE WITHOUT THE WRITTEN  
PERMISSION OF RXL IS PROHIBITED.

SERIES/FAMILY NUMBER:  
**RXL-4474**

DESCRIPTION:  
02RU Flush Vertical Wall Bracket

REVISION	DATE	REVISION DESCRIPTION:
A	12/10/2018	Initial

CONFIGURATION (SEE TABLE DETAILS/"X" DENOTES COLOR):  
**X02**

COMMENTS/FOLDER PATH:  
D:\RXL Inc\RXL - Engineering - Section 4 - Wall Mounts\RXL-4474 Flush Vertical Wall Bracket\

UNLESS OTHERWISE SPECIFIED:  
DIMENSIONS ARE IN INCHES  
TOLERANCES: ±0.03  
FRACTIONAL: ±1/32  
ANGULAR: ±1°  
TWO PLACE DECIMAL ±0.03  
THREE PLACE DECIMAL ±0.030

MATERIAL:  
FINISH:  
**PAINT**  
WEIGHT:  
7.44lbs.  
SURFACE AREA:  
470.06in.<sup>2</sup>

FULL PART NUMBER:  
RXL-4474-X02

DRAWN BY: Jackson Chong  
DRAWN DATE: 12/10/2018

DO NOT SCALE DRAWING  
Scale: 1:4  
DRAWING SIZE: B  
SHEET 1 OF 1