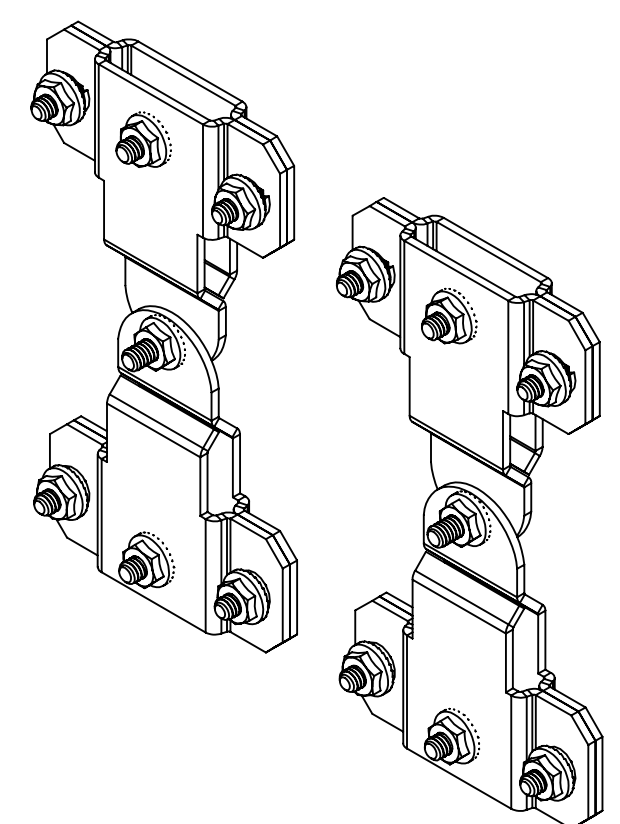
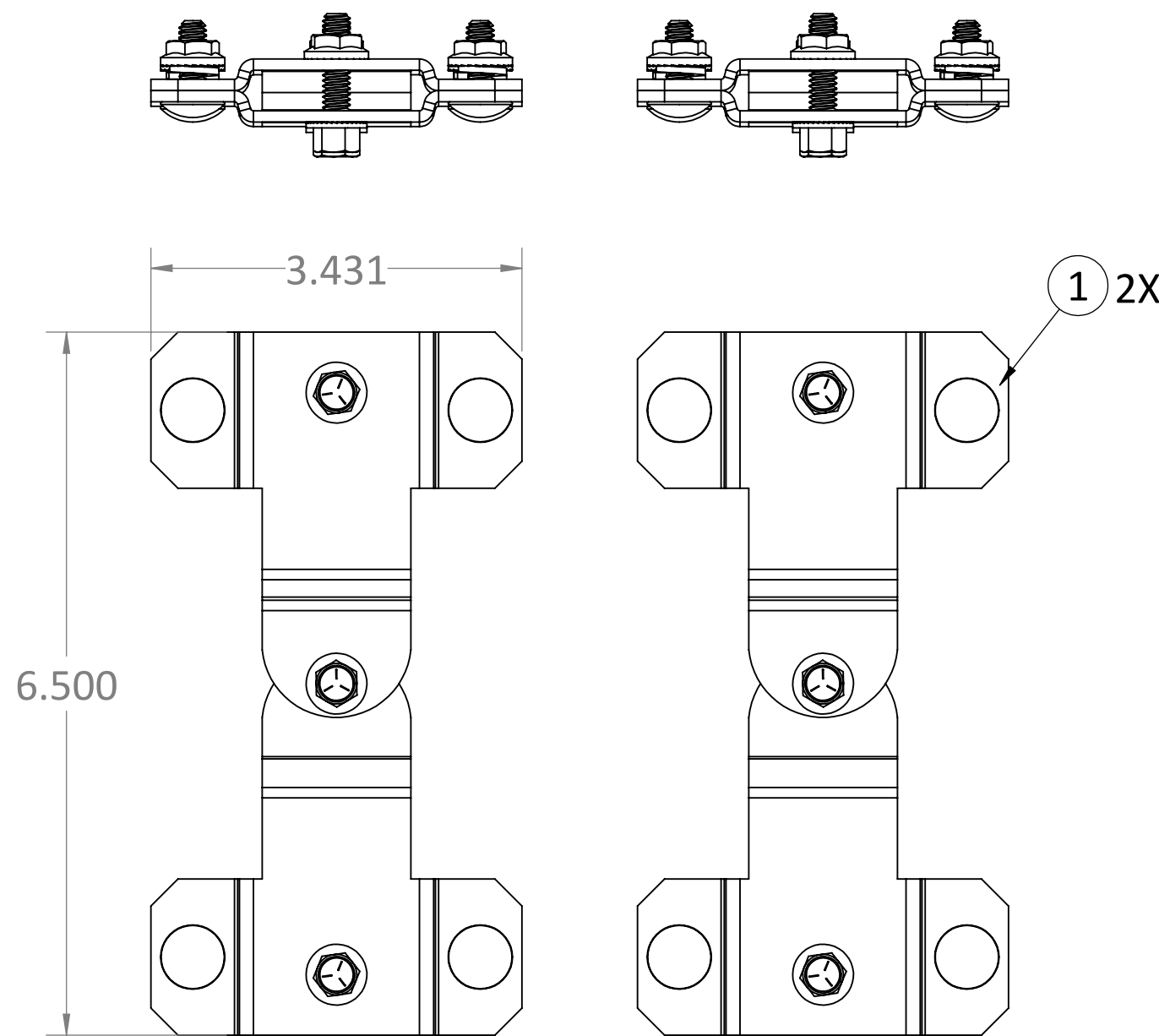
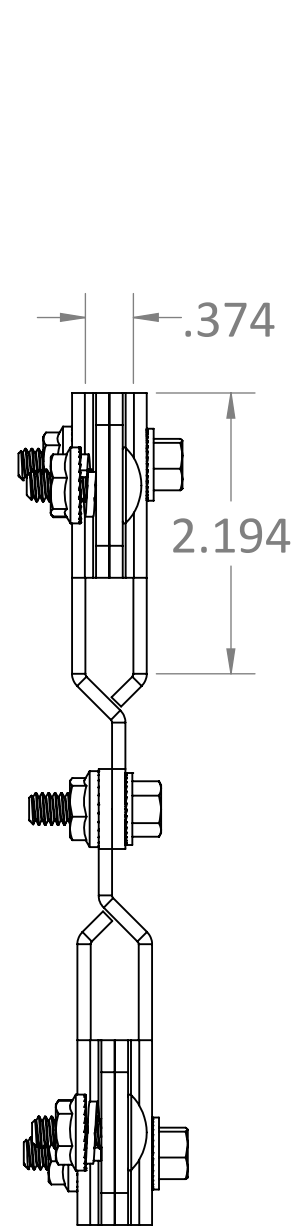


| ITEM # | PART NUMBER | CONFIGURATION | REV | DESCRIPTION | MATERIAL | QTY |
|--------|-------------|---------------|-----|--|----------|-----|
| 1 | AS-1015-01 | X01 | B | 1.5in. Stringer Steel Butt Swivel Assembly | | 2 |



RXL
 PROPRIETARY AND CONFIDENTIAL:
 THE INFORMATION CONTAINED IN THIS
 DRAWING IS THE SOLE PROPERTY OF RXL.
 ANY REPRODUCTION IN PART OR AS A
 WHOLE WITHOUT THE WRITTEN
 PERMISSION OF RXL IS PROHIBITED.

| | | | | | |
|---|--------------------------|--|--|--|---|
| SERIES/FAMILY NUMBER: RXL-1015 | | CONFIGURATION (SEE TABLE DETAILS/"X" DENOTES COLOR): X01 | | COMMENTS/FOLDER PATH: D:\RXL Inc\RXL - Engineering - Documents\Section 1 - Cable Pathways\RXL-1015 Steel Butt Swivel Kit\ | |
| DESCRIPTION: 1.5in. Stringer Steel Butt Swivel Kit | | UNLESS OTHERWISE SPECIFIED: DIMENSIONS ARE IN INCHES TOLERANCES: ±0.03 FRACTIONAL: ±1/32 ANGULAR: ±1° TWO PLACE DECIMAL ±0.03 THREE PLACE DECIMAL ±0.030 | | MATERIAL: FINISH: PAINT WEIGHT: 2.24lbs. | SURFACE AREA: 175.5in. ² |
| REVISION B | DATE 1/31/2023 | REVISION DESCRIPTION: Hardware Changed to 1/4"-20, Added Extra Hardware, .125" More Rotating Space | | FULL PART NUMBER: RXL-1015-X01 | DRAWN BY: Jackson Chong DRAWN DATE: 11/15/2019 |
| | | | | DO NOT SCALE DRAWING Scale: 1:4 | DRAWING SIZE: B SHEET 1 OF 1 |

8 7 6 5 4 3 2 1