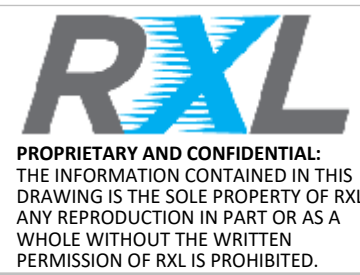
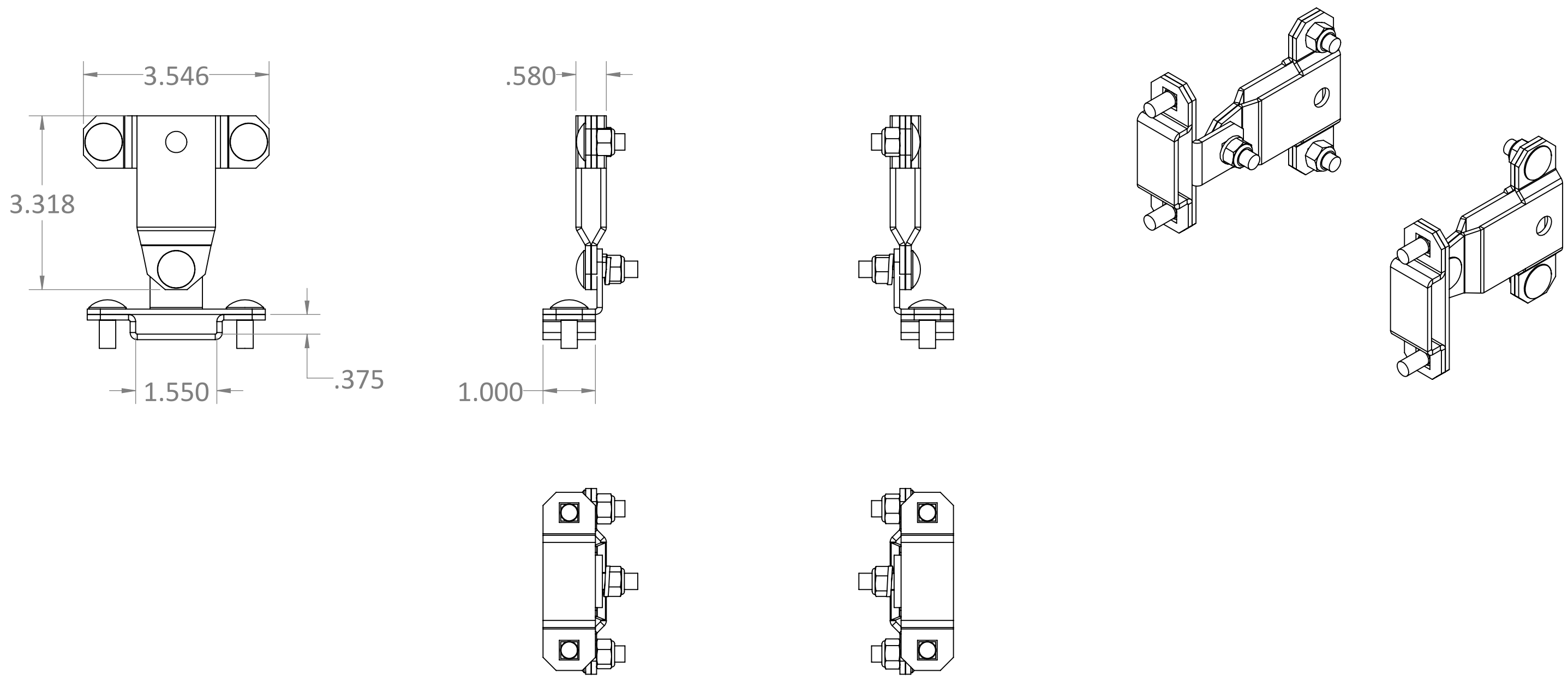


ITEM #	PART NUMBER	CONFIGURATION	REV	DESCRIPTION	MATERIAL	QTY
1	AS-1014-01	X01	A	1.5" Stringer Junction Swivel Kit Hardware Assembly		2



SERIES/FAMILY NUMBER: <b>RXL-1014</b>		CONFIGURATION (SEE TABLE DETAILS/"X" DENOTES COLOR): <b>X01</b>		COMMENTS/FOLDER PATH: D:\RXL Inc\RXL - Engineering - Section 1 - Cable Pathways\RXL-1014 Junction Swivel Kit\	
DESCRIPTION: RXL-1014 Junction Swivel Kit, 1.5" Stringer				UNLESS OTHERWISE SPECIFIED: DIMENSIONS ARE IN INCHES TOLERANCES: ±0.03 FRACTIONAL: ±1/32 ANGULAR: ±1° TWO PLACE DECIMAL ±0.03 THREE PLACE DECIMAL ±0.030	
REVISION <b>A</b>	DATE <b>8/4/2020</b>	REVISION DESCRIPTION: Initial		MATERIAL:	FULL PART NUMBER: RXL-1014-X01
				FINISH: <b>PAINT</b>	DRAWN BY: Jackson Chong
				WEIGHT: 1.61lbs.	DRAWN DATE: 8/4/2020
				SURFACE AREA: 133.94in. <sup>2</sup>	DO NOT SCALE DRAWING Scale: 1:4
				DRAWING SIZE: <b>B</b> SHEET 1 OF 1	