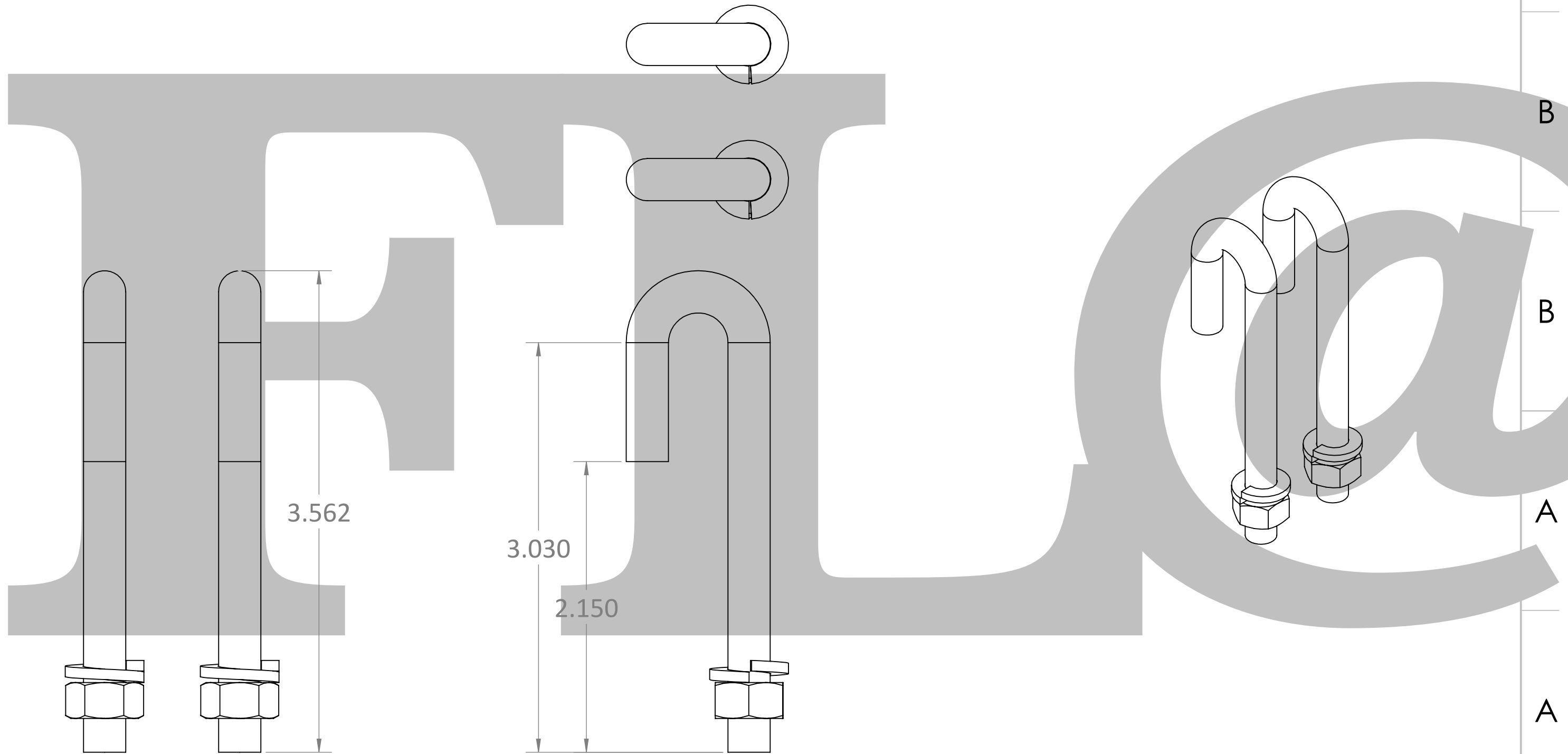


ITEM #	PART NUMBER	CONFIGURATION	REV	DESCRIPTION	MATERIAL	FINISH	QTY
1	AS-1001-01	X03	A	3.75in. L J-Bolt, 5/16-18 Thread Hardware Assembly		PAINT	2



PROPRIETARY AND CONFIDENTIAL:
THE INFORMATION CONTAINED IN THIS DRAWING IS THE SOLE PROPERTY OF RXL. ANY REPRODUCTION IN PART OR AS A WHOLE WITHOUT THE WRITTEN PERMISSION OF RXL IS PROHIBITED.

SERIES/FAMILY NUMBER:
RXL-1001

DESCRIPTION:
3.75in. L J-Bolt Kit, 5/16-18 Thread

REVISION	DATE	REVISION DESCRIPTION:
A	8/6/2019	Initial

CONFIGURATION (SEE TABLE DETAILS/"X" DENOTES COLOR):
X03

COMMENTS/FOLDER PATH:
D:\RXL Inc\RXL - Engineering - Section 1 - Cable Pathways\RXL-1001 J-Bolt Kit\

UNLESS OTHERWISE SPECIFIED: DIMENSIONS ARE IN INCHES TOLERANCES: ± 0.03 FRACTIONAL: $\pm 1/32$ ANGULAR: $\pm 1^\circ$ TWO PLACE DECIMAL ± 0.03 THREE PLACE DECIMAL ± 0.030	MATERIAL:	FULL PART NUMBER: RXL-1001-X03 DRAWN BY: Jackson Chong DRAWN DATE: 8/14/2019
	FINISH: PAINT	
	WEIGHT: 0.25lbs.	
DO NOT SCALE DRAWING Scale: 1:4		DRAWING SIZE: B SHEET 1 OF 1

4	4	3	3	2	2	1	1
---	---	---	---	---	---	---	---