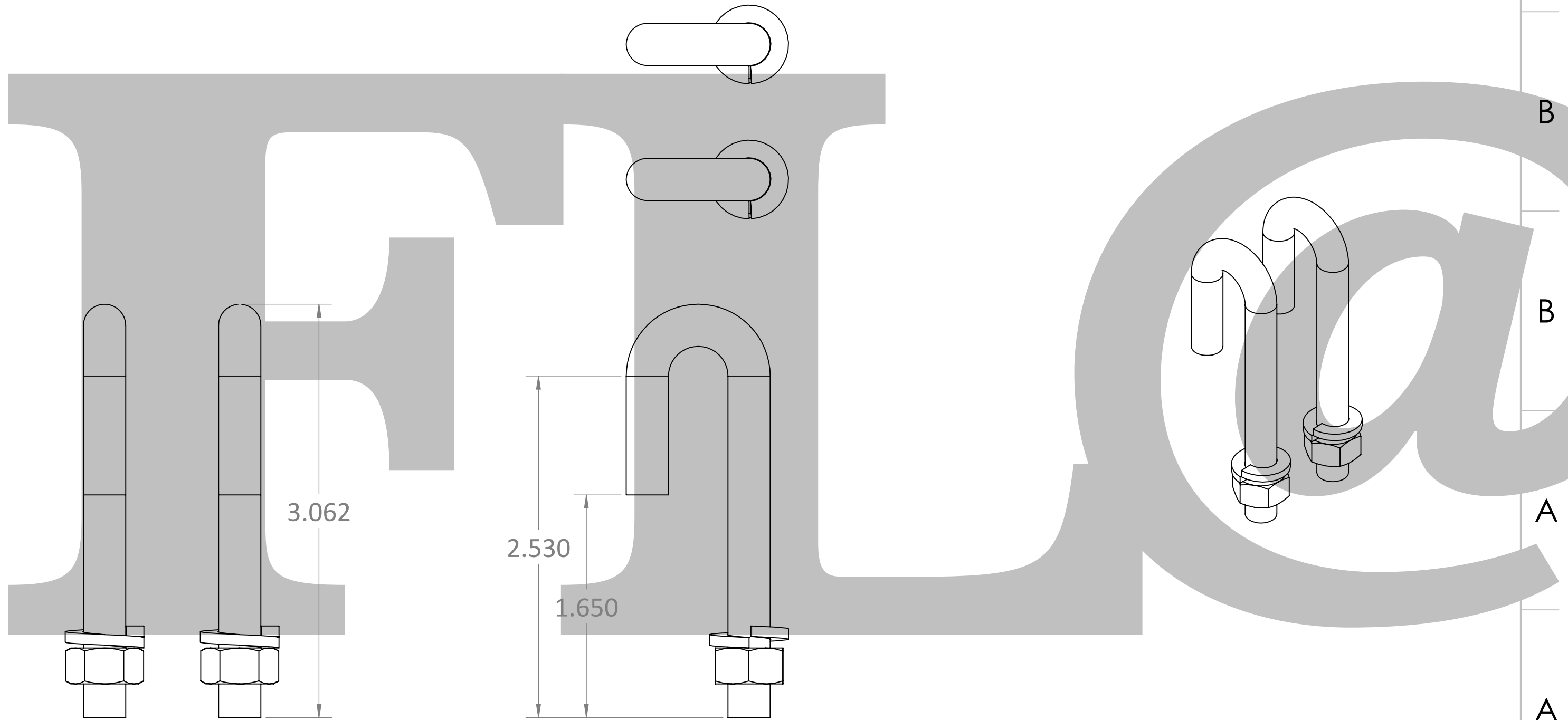


ITEM #	PART NUMBER	CONFIGURATION	REV	DESCRIPTION	MATERIAL	FINISH	QTY
1	AS-1001-01	X02	A	2.75in. L J-Bolt, 5/16-18 Thread Hardware Assembly		PAINT	2



PROPRIETARY AND CONFIDENTIAL:
THE INFORMATION CONTAINED IN THIS DRAWING IS THE SOLE PROPERTY OF RXL. ANY REPRODUCTION IN PART OR AS A WHOLE WITHOUT THE WRITTEN PERMISSION OF RXL IS PROHIBITED.

SERIES/FAMILY NUMBER:
RXL-1001

DESCRIPTION:
2.75in. L J-Bolt Kit, 5/16-18 Thread

REVISION	DATE	REVISION DESCRIPTION:
A	8/6/2019	Initial

CONFIGURATION (SEE TABLE DETAILS/"X" DENOTES COLOR):
X02

COMMENTS/FOLDER PATH:
D:\RXL Inc\RXL - Engineering - Section 1 - Cable Pathways\RXL-1001 J-Bolt Kit\

UNLESS OTHERWISE SPECIFIED: DIMENSIONS ARE IN INCHES TOLERANCES: ±0.03 FRACTIONAL: ±1/32 ANGULAR: ±1° TWO PLACE DECIMAL ±0.03 THREE PLACE DECIMAL ±0.030	MATERIAL:	FULL PART NUMBER: RXL-1001-X02
	FINISH: PAINT	
	WEIGHT: 0.23lbs.	SURFACE AREA: 12.5in. ²

4	4	3	3	2	2	1	1
---	---	---	---	---	---	---	---