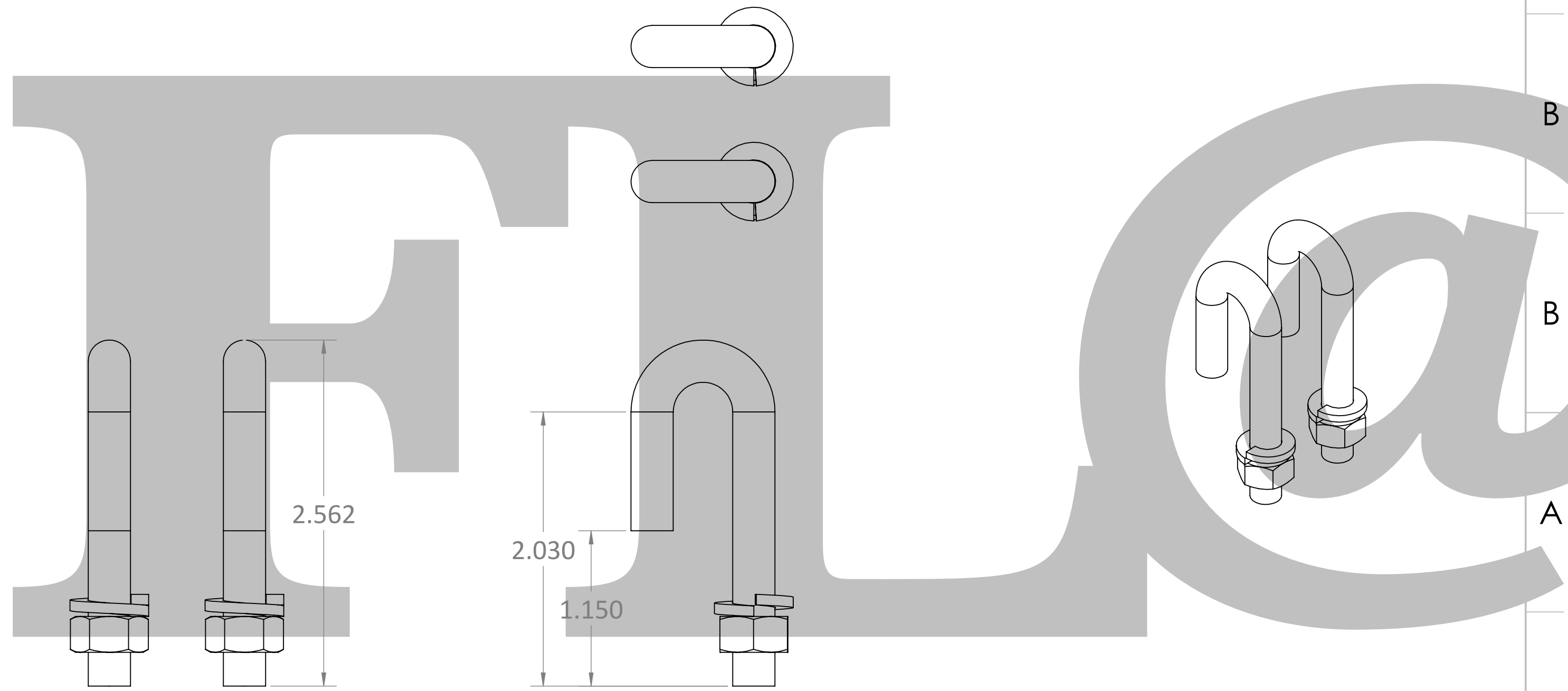


ITEM #	PART NUMBER	CONFIGURATION	REV	DESCRIPTION	MATERIAL	FINISH	QTY
1	AS-1001-01	X01	A	2.25in. L J-Bolt, 5/16-18 Thread Hardware Assembly		PAINT	2



RXL
 PROPRIETARY AND CONFIDENTIAL:
 THE INFORMATION CONTAINED IN THIS
 DRAWING IS THE SOLE PROPERTY OF RXL.
 ANY REPRODUCTION IN PART OR AS A
 WHOLE WITHOUT THE WRITTEN
 PERMISSION OF RXL IS PROHIBITED.

SERIES/FAMILY NUMBER:
RXL-1001

DESCRIPTION:
 2.25in. L J-Bolt Kit, 5/16-18 Thread

REVISION	DATE	REVISION DESCRIPTION:
A	8/6/2019	Initial

CONFIGURATION (SEE TABLE DETAILS/"X" DENOTES COLOR):
X01

COMMENTS/FOLDER PATH:
 D:\RXL Inc\RXL - Engineering - Section 1 - Cable Pathways\RXL-1001 J-Bolt Kit\

UNLESS OTHERWISE SPECIFIED:		MATERIAL:		FULL PART NUMBER:	
DIMENSIONS ARE IN INCHES				RXL-1001-X01	
TOLERANCES: ±0.03		FINISH:		DRAWN BY: Jackson Chong	
FRACTIONAL: ±1/32		PAINT		DRAWN DATE: 8/14/2019	
ANGULAR: ±1°		WEIGHT:		DO NOT SCALE DRAWING	
TWO PLACE DECIMAL ±0.03		0.21lbs.		Scale: 1:4	
THREE PLACE DECIMAL ±0.030		SURFACE AREA:		DRAWING SIZE: B	
		11.52in. ²		SHEET 1 OF 1	

4 4 3 3 2 2 1 1