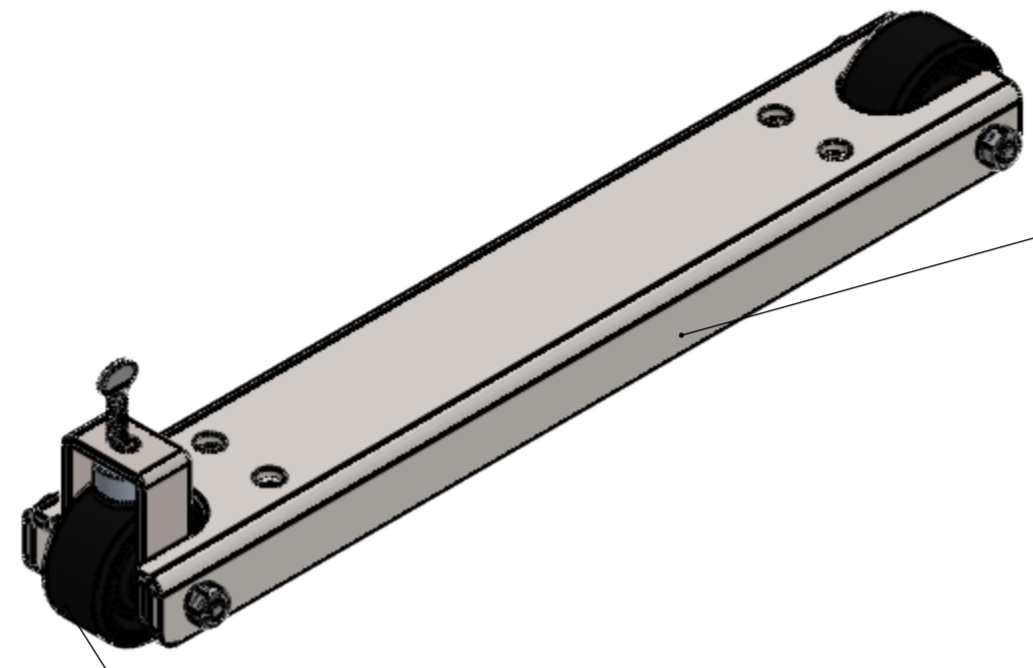
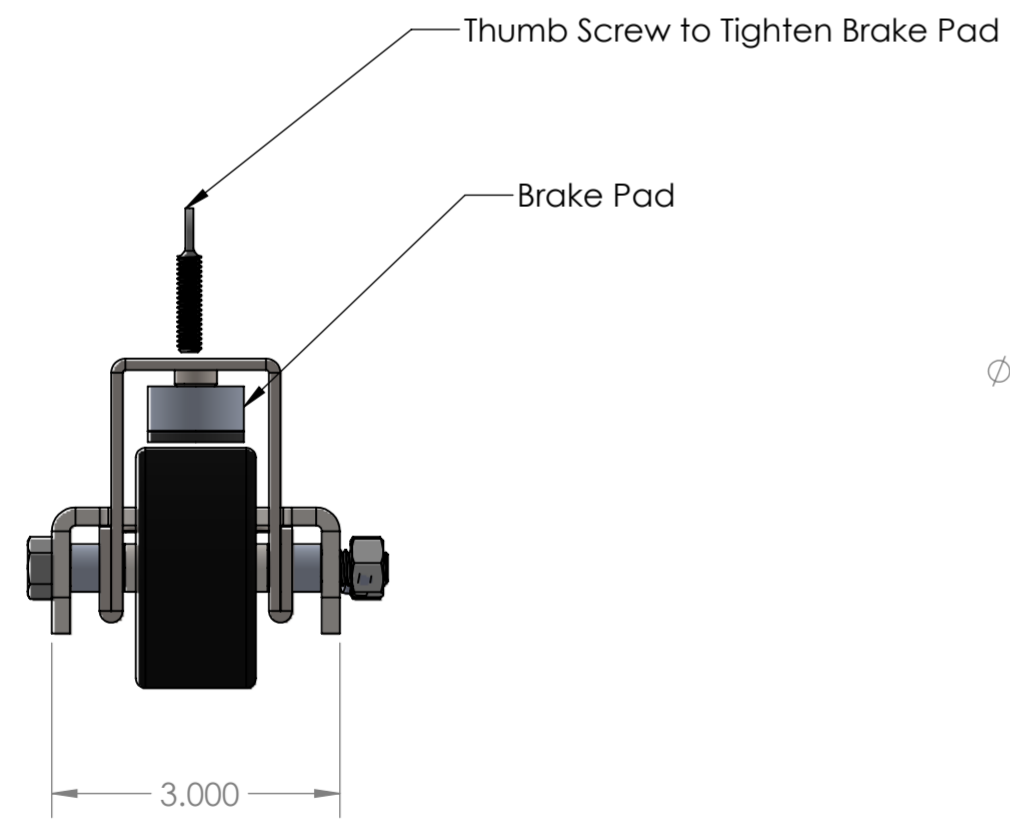
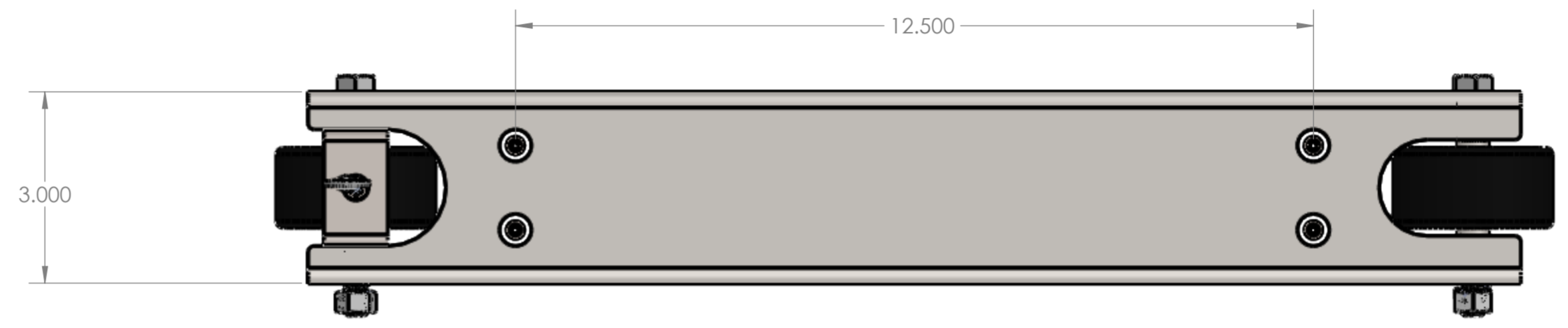


REVISIONS				
ZONE	REV.	DESCRIPTION	DATE	APPROVED
	A	Production Release	10/4/2016	E.Garcia

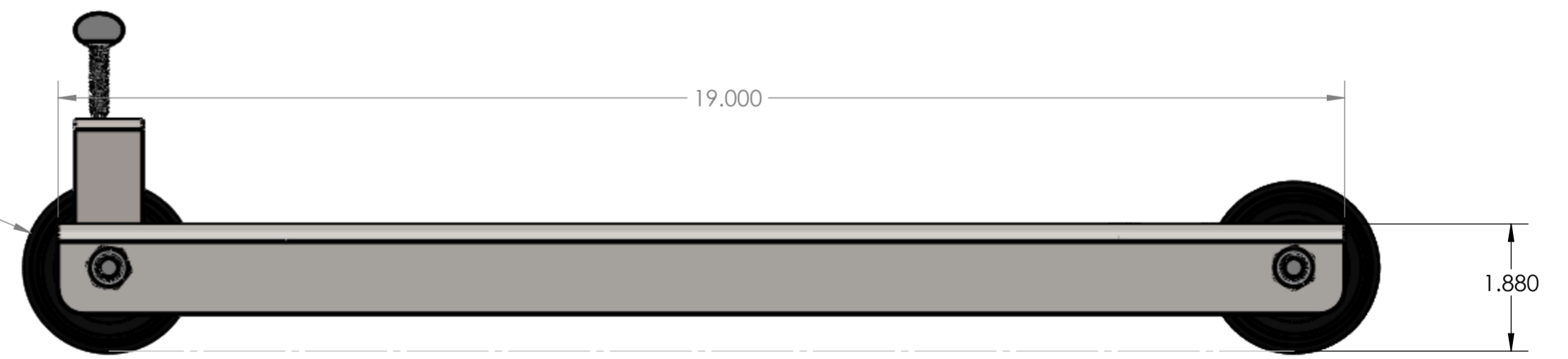


Made of 7Ga(3/16") Steel

2.5" Diameter Neoprene Wheel
Load Capacity per wheel is 250lbs.



Ø 2.500



Sold in Pairs
Offered in any Color but Stock Color is Black and Grey
Supports up to 500 Lbs. per pair

UNLESS OTHERWISE SPECIFIED: DIMENSIONS ARE IN INCHES TOLERANCES: ANGULAR: MACH ± BEND ± 1/2° TWO PLACE DECIMAL ± .03 THREE PLACE DECIMAL ± .010			FINISH: PowderCoat Finish	DEBURR AND BREAK SHARP EDGES	DO NOT SCALE DRAWING	REVISION 1
DRAWN	E.Garcia	SIGNATURE	DATE		TITLE: Rack Dolly, 3" Channel	
CHK'D	E.Garcia		10/4/2016		DWG NO. 2541-X-01	
APPV'D	E.Garcia		10/4/2016		A2	
MFG					SCALE: 1:4	
Q.A				MATERIAL:	SHEET 1 OF 1	
				WEIGHT:		