

Key Features

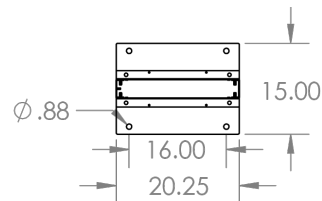
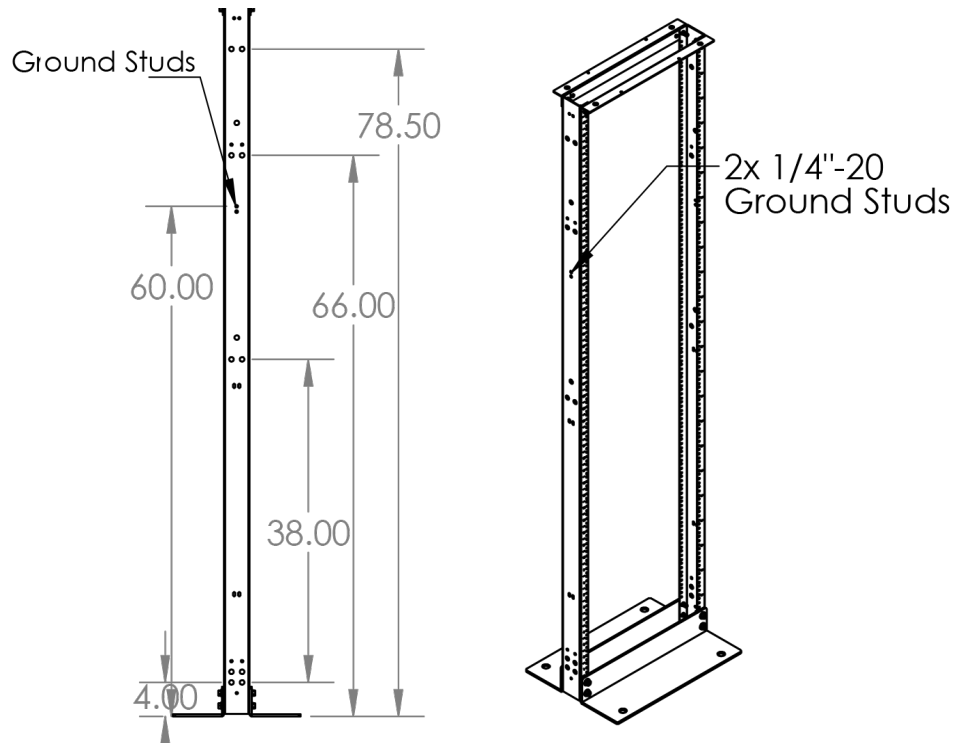
Use our Standard Two-Post Rack to mount your equipment in Data Centers and Telecommunication rooms.

Includes:

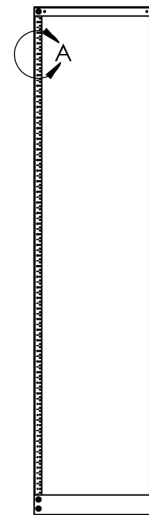
- Two top angles
- Two base angles
- Two equipment mounting rails
- Installation hardware
- EIA 19 inch width
- Choice of powder coated finish

Key Specifications

- 12/24 Mounting Holes
- RMU Markings
- Grounding Studs
- 1500lbs load capacity for Welded Two-Post Rack
- 1000lbs load capacity for Assembled Two-Post Rack



DETAIL A
SCALE 1 : 6





Universal Spacing

Part #	Height	Spacing	Mounting Spaces	Shipping Weight lbs
19" Rack Width	84"	39 7/16'	45	82
23" Rack Width	84"	39 7/16'	45	91

Part #	Description
2021-X-45	Welded Two-Post Rack, 19"W, 3" Channel, 45U, 7'H
2021-X-52	Welded Two-Post Rack, 19"W, 3" Channel, 52U, 8'H
2023-X-45	Welded Two-Post Rack, 23"W, 3" Channel, 45U, 7'H
2023-X-52	Welded Two-Post Rack, 23"W, 3" Channel, 52U, 8'H
2201-X-45	Assembled Two-Post Rack, 19"W, 3" Channel, 45U, 7'H
2201-X-52	Assembled Two-Post Rack, 19"W, 3" Channel, 52U, 8'H
2202-X-45	Assembled Two-Post Rack, 23"W, 3" Channel, 45U, 7'H
2202-X-52	Assembled Two-Post Rack, 23"W, 3" Channel, 52U, 8'H

Replace "X" with 01 for White, 02 for Black or 04 for Gray